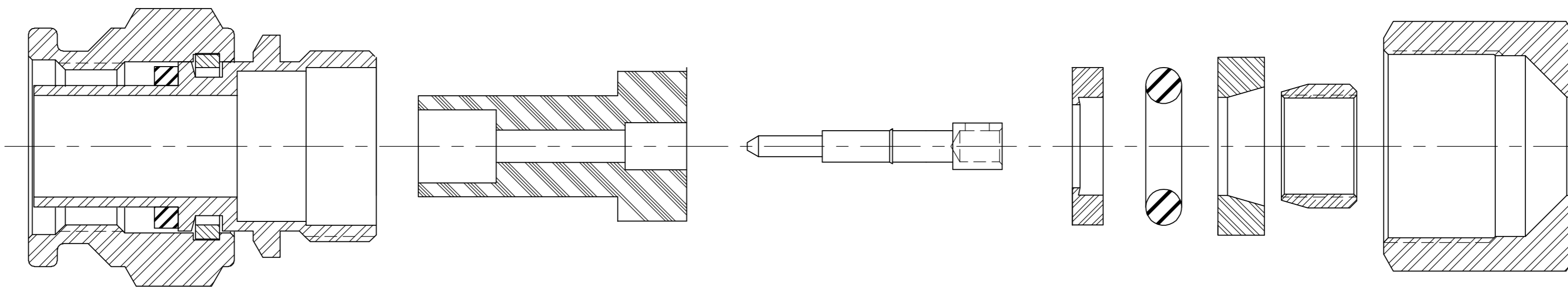


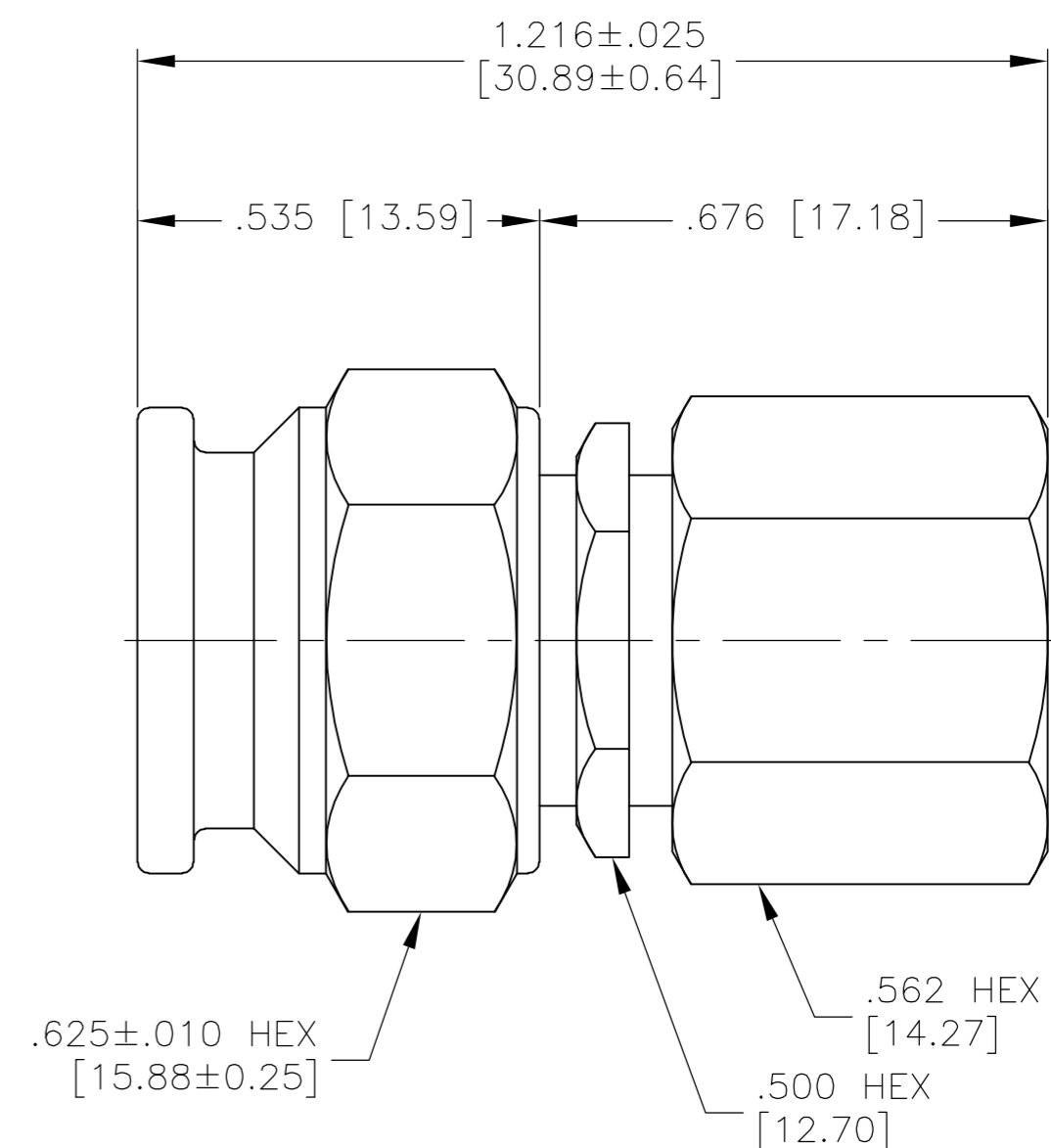
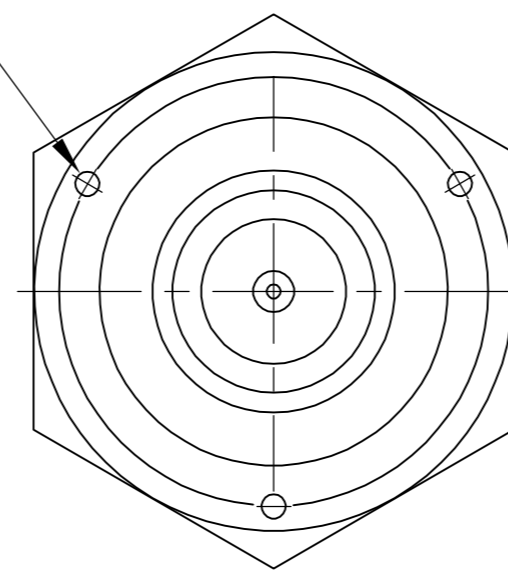
THIS DRAWING IS UNPUBLISHED. RELEASED FOR PUBLICATION
 © COPYRIGHT BY TYCO ELECTRONICS CORPORATION. ALL RIGHTS RESERVED.

LOC		DIST		REVISIONS			
P	LTR	DESCRIPTION	DATE	DWN	APVD		
DF	X0						
		0	RELEASED	1-04	CT	RG	



AS SHIPPED TO CUSTOMER

∅.033 [∅0.84]
 3 PLC @
 120° APART



ASSEMBLED VIEW

COMPONENT	MATERIAL	FINISH
HOUSING COUPLING NUT CLAMP NUT	STAINLESS STEEL PER ASTM-A484 AND ASTM- A582, TYPE 303	PASSIVATE PER ASTM-A380
DIELECTRIC	TFE FLUOROCARBON PER ASTM-D-1457, MIL-P-19468, AND FED. SPEC L-P-403	N/A
CENTER CONTACT BUSHING	BERYLLIUM COPPER PER ASTM-B-196, ALLOY C17300	GOLD PLATE PER ASTM-B-488 OVER COPPER PLATE PER MIL-C-14550
RETAINING RING	BERYLLIUM COPPER PER ASTM-B-196	N/A
GASKET	SILICONE RUBBER PER ZZ-R-765	N/A
O-RING	VITON "A" PER MIL- R-45897	N/A

DESIGNED TO USE ∅.250 SEMI-RIGID CABLE
CABLE ENTRY DIAMETER MIN
CONTACT: .079 [2.01]
BUSHING: .253 [6.42]
BUSHING: .254 [6.45]
BUSHING: .249 [6.32]
CLAMP NUT: .254 [6.45]

THIS DRAWING IS A CONTROLLED DOCUMENT.	
DIMENSIONS: INCHES [mm]	TOLERANCES UNLESS OTHERWISE SPECIFIED:
	0 PLC ± -
	1 PLC ± -
	2 PLC ± -
	3 PLC ± .005 [0.13]
4 PLC ± -	ANGLES ± -
MATERIAL SEE TABLE	FINISH SEE TABLE

DWN C.C.THOMAS 1-22-04	 Tyco Electronics Corporation Harrisburg, Pa 17105-3608	1663258-1
CHK R.GROSS 1-23-04		PART NO.
APVD R.GROSS 1-23-04		NAME OST STRAIGHT CABLE PLUG COMPRESSION CLAMP ATTACHMENT
PRODUCT SPEC		RESTRICTED TO
APPLICATION SPEC 31-131	SIZE A2	CAGE CODE 00779
WEIGHT -	DRAWING NO. C=1663258	SCALE 5:1
CUSTOMER DRAWING	SHEET 1 OF 1	REV 0